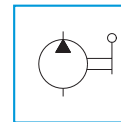
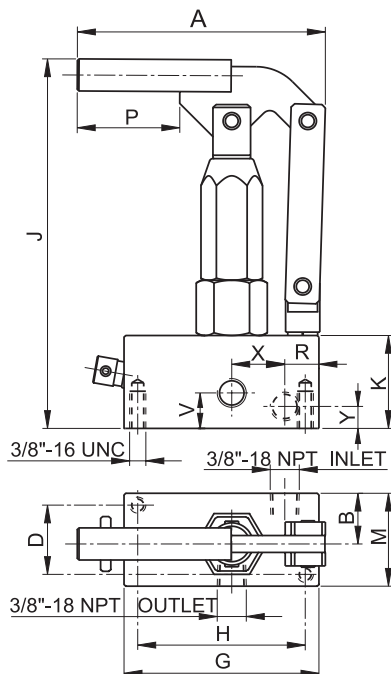


HAND PUMPS FOR DIVERSIFIED APPLICATIONS 700 - 1400 BAR



- Oil Delivery per stroke in HP **2,1 - 4,5 cm³**
- Max working pressure **700 - 1400 bar**

FEATURES

Single-stage, tankless Hand Pumps, are lightweight and easy to handle (their weight is less than 5kg for the standard version and 6kg for the INOX version).

All Models are equipped with:

- 490 mm removable activation handle, used to turn the bypass valve on through the front connection.
- Fixing holes on the base.
- 3/8"-18 NPT side ports for oil inlet and outlet.
- All standard pump components, either internal or external, undergo the EUROPRESS exclusive thermo-chemical treatment, named Nitreg-ONC[®], which makes steel exceptionally hard, resistant to corrosion and mechanical wear.

The PP113 Pump is also available in stainless steel for use with water, and with different pump heads to be used at pressures lower than 700 bar (on demand)

OPERATIONAL FEATURES

Particularly functional to be used with small assembly room applications, and to be installed either on machines or in circuits already equipped with their own reservoir.

SELECTION CHART

Max Pressure bar	Oil Delivery per stroke cm ³	Handle Effort N	To be used with	To use with	MODEL	Dimensions mm											Weight kg		
						A	B	D	G	H	J	K	M	P	R	V		X	Y
1400	2,1	649	Oil	Single and double acting cylinders	PP109	145	30	41	114	98	219	55	55	60	20	21	31	13	4,8
700	4,5	677	Oil	Single and double acting cylinders	PP113	145	30	41	114	98	219	55	55	60	20	21	31	13	4,8
700	4,5	677	Water	Single and double acting cylinders	PP113SS	145	30	41	114	98	219	60	60	60	20	26	31	18	5,6