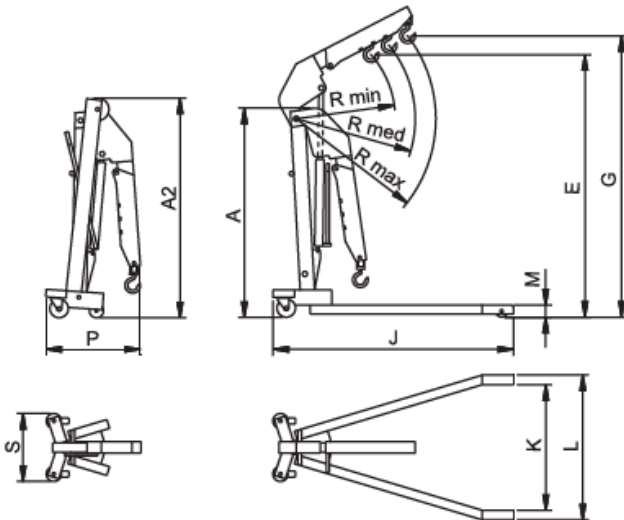


MOBILE FOLDING FLOOR CRANE

Capacity **500 - 2000 kg**



FEATURES

UGC floor cranes are robust, versatile, and fully folding for easy storage.

There are three models available with maximum lifting capacities from 500kg to 2000 kg. Each model is fitted with hard wearing polyamide wheels and castors for smooth and quiet operation.

The three position fully extendable jib is fitted with a handle to facilitate easy positioning and is complete with lifting hook. The combined cylinder and pump unit swivels to allow the operator maximum access and control. The cylinder has a safety valve and a stroke limitation device.

APPLICATIONS

These cranes are used in a wide variety of applications including, machinery and engine removal, and in machine shops.

UGC cranes are essential for lifting, moving and positioning of motors and engines and where space is limited.



Always check that the pin is fully secured in the correct locating hole, depending on the jib position, and the load to be lifted.

SELECTION CHART

Capacity			MODEL	Dimensions mm													Weight kg
Position 1	Position 2	Position 3		A	A2	E	G	J	K	L	M	R min.	R med.	R max.	P	S	
kg	kg	kg															
500	400	325	UGC5	1400	1400	1970	2080	1500	820	970	80	1050	1150	1250	465	450	92
1000	800	700	UGC10	1675	1675	2275	2415	1695	935	1085	80	1260	1405	1550	545	450	121
2000	1750	1650	UGC20	1720	1815	2340	2500	1900	1035	1205	200	1275	1420	1570	635	570	173