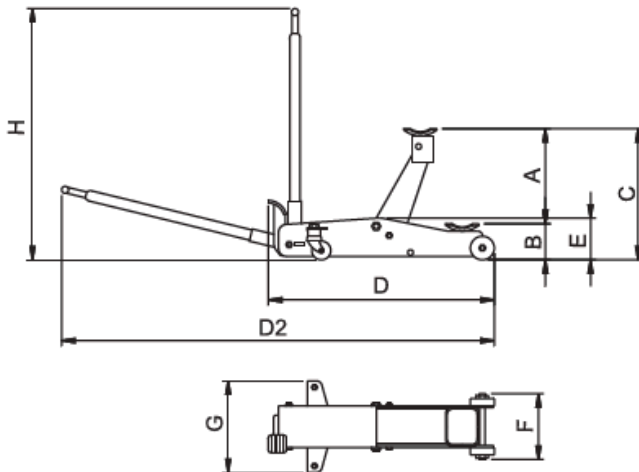


TROLLEY JACKS



Capacity **2 - 10 t**



FEATURES

UGJ trolley jacks feature polyamide swivel castors for smooth and quiet operation. All models are fitted with a foot pedal for fast approach to the load.

In addition all models are fitted with a safety valve and stroke limiting device.

The 2 ton and 3 ton models have polyamide wheels whilst the 6 and 10 tonne models have cast wheels.

APPLICATIONS

These jacks are intended for use mainly in machine shops and garages to lift vehicles.



Check that the saddle is placed centrally under the load to be lifted.

SELECTION CHART

Capacity t	MODEL	Dimensions mm									Weight kg
		A	B	C	D	D2	E	F	G	H	
2	UGJ2	365	125	490	900	1885	165	245	360	990	34
3	UGJ3	380	145	525	1220	2215	190	250	350	1100	52
6	UGJ6	380	195	575	1300	2300	220	300	425	1100	82
10	UGJ10	380	195	575	1600	2600	260	345	425	1100	111