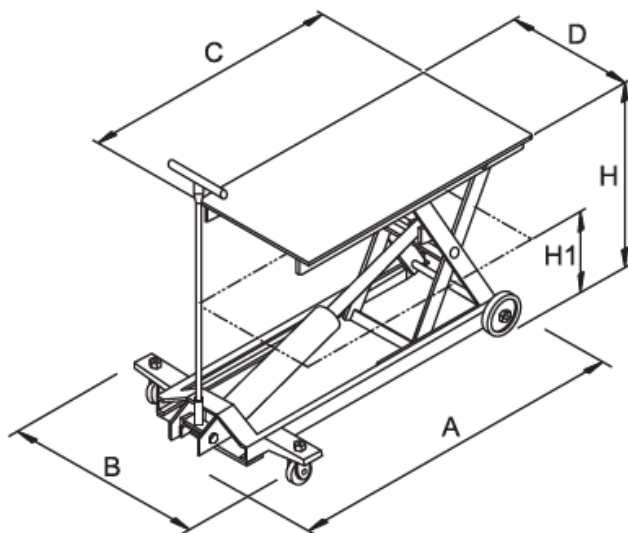


HYDRAULIC LIFTING TABLE



Capacity 2 t



FEATURES

The UGT hydraulic lifting table has been designed to lift loads of up to 2 tonne. The lifting height of 880 mm enables the operator to work in a very comfortable position. The table can be locked mechanically by safety pins at three different positions.

UGT tables are equipped with foot pedal for fast approach to the load.

The cylinder is fitted with a safety valve and stroke limitation device. The polyamide fixed and swivel wheels are quiet in operation, and do not cause damage to floors.

APPLICATIONS

In machine shops, garages, and a variety of industrial uses.



Use the foot pedal for a fast approach to the load.

SELECTION CHART

Capacity	MODEL	Dimensions mm						Weight
		A	B	C	D	H	H1	
t								kg
2	UGT2	1440	800	1060	540	880	300	187