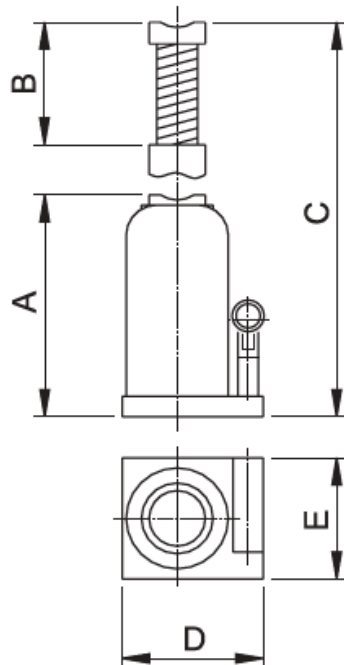


HYDRAULIC BOTTLE JACKS



Capacity **3 - 50 t**
Stroke **150 mm**



Follow our safety rules.
See Useful pages.

p. 126

FEATURES

UMB bottle jacks are produced with a one piece base, cylinder and reservoir. This eliminates any potential leaks between the base and reservoir.

All jacks are supplied with an operating lever. 20, 30 and 50 tonne models have a carry handle for ease of transport.

All models can be used horizontally with the pumping unit below the cylinder. The seals are easily replaced cutting service

time down to the minimum.

Jacks are fitted with a stroke limiting device and safety valves

APPLICATIONS

These jacks are ideal for a variety of lifting or pushing jobs and can be used in many different industries.

SELECTION CHART

Capacity t	Stroke mm	MODEL	Dimensions mm							Weight kg
			A	B	C	D	E	F	G	
3	150	UMB3N150	210	65	425	116	95	23.5	24	4,2
5		UMB5N150	212	75	437	123	95	29	29	5,0
8		UMB8N150	219		444	138	95	38	32.8	5,5
10		UMB10N150	219		444	142	95	38	37.3	6,5
12		UMB12N150	226		451	153	112	44	40.8	8,0
15		UMB15N150	228		453	163	112	44	44.6	9,0
20		UMB20N150	234		459	171	127	58	50.9	11,0
25		UMB25N150	240		465	196	142	65	54.4	14,3
30		UMB30N150	242		467	196	142	65	57.6	14,8
50		UMB50N150	252		-	402	230	180	-	80