

PN13240

when design >>
meets technology

ENG



Euro Press Pack

nero serie
pump **PN**

PN13240

Reservoir capacity: **2,2 L**
 Oil delivery per stroke: **0,55-14 cm³**
 Max working pressure: **4000 bar**

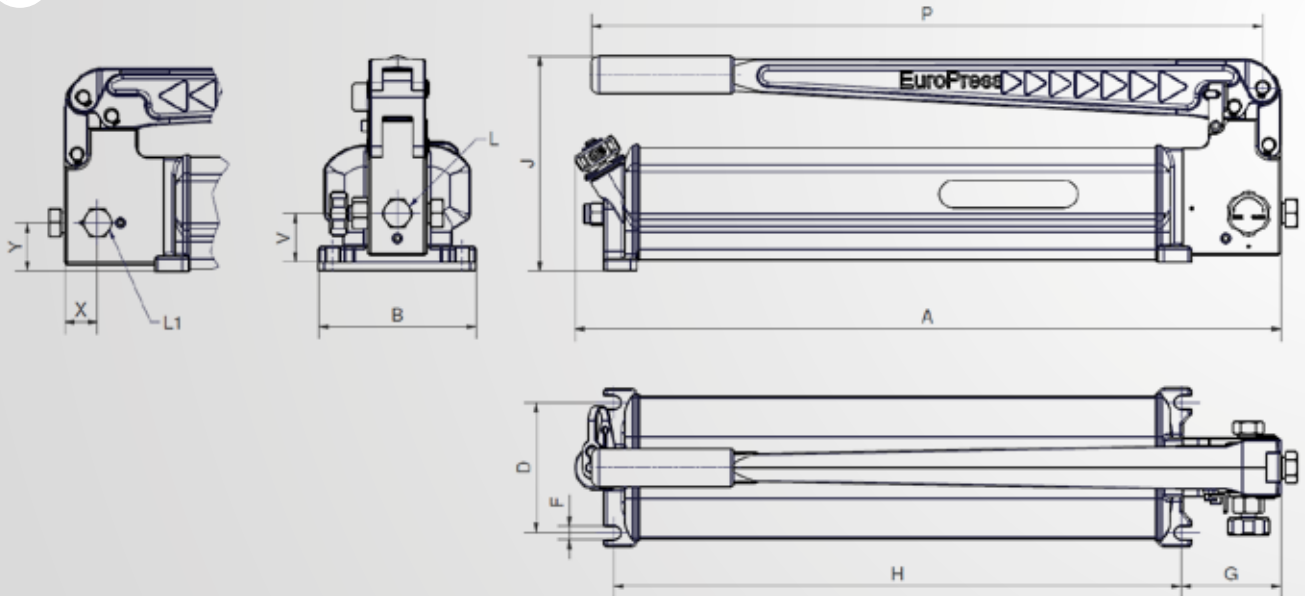
New EPP **Euro Press Pack 4000 bar** high pressure **PN13240** pump for professional applications, especially useful in extraction of bearings, in injection of press fittings, pre-tensioning of studs, burst test and calibrations.

This pump is structured with the highest technology carefully studied to ensure longevity, the best performance and reliability, exceptional handiness and a very little effort on the lever.

- High resistance light-weight material epoxy powder painted (only used in the aeronautical field)
- High resistance **Nitreg ONC** treated steel to prevent corrosion and wear
- Modern sealing systems studied and highly tested to last through time
- An innovative design of the head and of the piston minimizes any possible damage caused by the entering of dusk or dirt

The maximum working pressure is **4000 bar** with a flow of **0,55 CC per stroke**. The pump has a low pressure stage set at **10 bar** with a flow of **14 CC** per stroke to quickly fill in the circuit.. The connecting threads are **HP 3/4" - 16 UNF** type.

Technical Features



pressure 1st stage	pressure 2nd stage	oil delivery 1st stage	oil delivery 2nd stage	handle effort	for use with cylinders	reservoir capacity	usable oil volume	MODEL	dimensions [mm]											weight		
bar	bar	cm ³	cm ³	N		litri	litri		A	B	D	G	H	F	J	L	L1	P	V		X	Y
10	4000	14	0,55	530	semplice effetto	2,2	2	PN13240	572	128	105	83	460	11	173	3/4"-16 UNF	3/4"-16 UNF	545	36	26,5	38	8,3

The pump is quick and practical thanks to the bypass handwheel positioned on the right side of the head which allows the rising, the maintaining and the gradual lowering of the pressure.

The pump is equipped with a new designed 2 liter reservoir and the improved internal volume of the tank allows to use the total nominal capacity without opening the venting cap or filling completely the tank and using, with the cap in venting position, a bigger quantity of oil.

The pump can also be used in vertical position with the head pointing downwards. The usable oil volume is 100% of the reservoir capacity, thanks to the filler cap positioned at the end of the tank.

The pump can also be used with water/glycol mix. The practical lever locking hook allows to use the lever as a handle during transport and by holding it in the correct manner it balances the pump also if equipped with ancillaries.

All standard models are equipped with:

- Secondary lateral exit (also usable as direct gauge connection)
- Feet with holes for the correct fixing
- Lever locking hook useful for transport
- Two position filler and venting cap positioned at the end of the reservoir





Euro Press Pack

www.europresspack.com

EPP. EURO PRESS PACK Spa

Via M. Disma, 87 - 16042 Carasco (GE) - Italy
Tel. 0039 0185 35271 | Fax 0039 0185 351138
sales@europresspack.it

EPP. MAGNUS Ltd

NORWICH NR6 6AY - UK - 7, Burton Close
Tel. 0044 (0) 160 34 00 861 | Fax 0044 (0) 160 37 88 496
welcome@epp-magnus.co.uk

EUROPRESS DEUTSCHLAND GmbH

D - 90427 Nürnberg - Brettergartenstr. 14
Tel. 0049 (0) 911 32 483-0 | Fax 0049 (0) 911 32 483-33
info@europress-deutschland.com

CERTIFIED COMPANY

